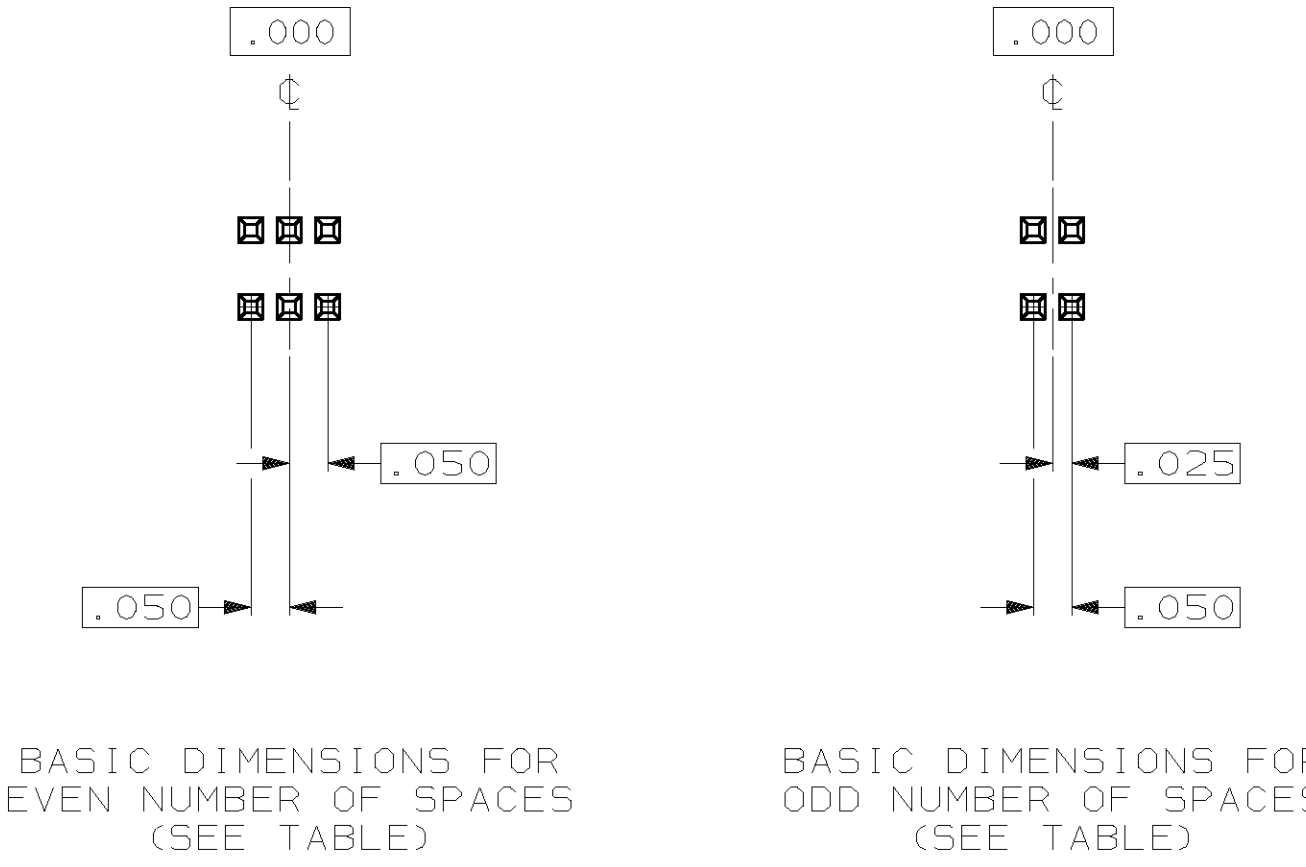
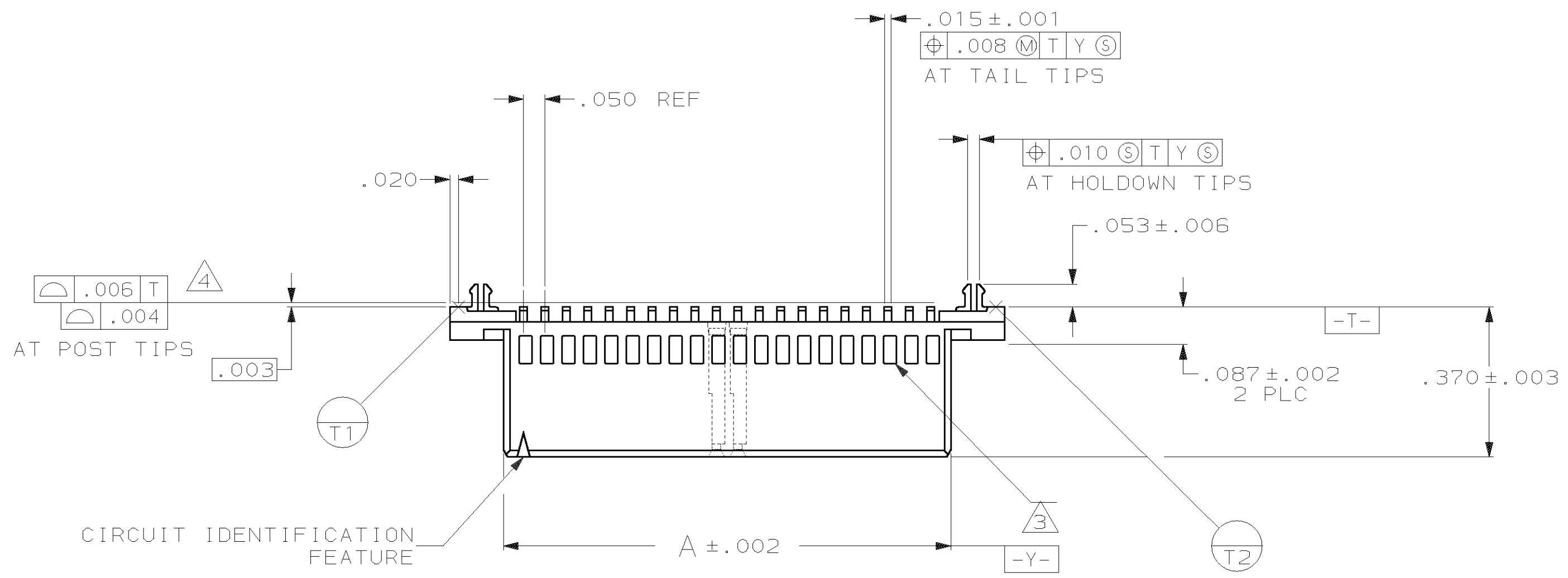
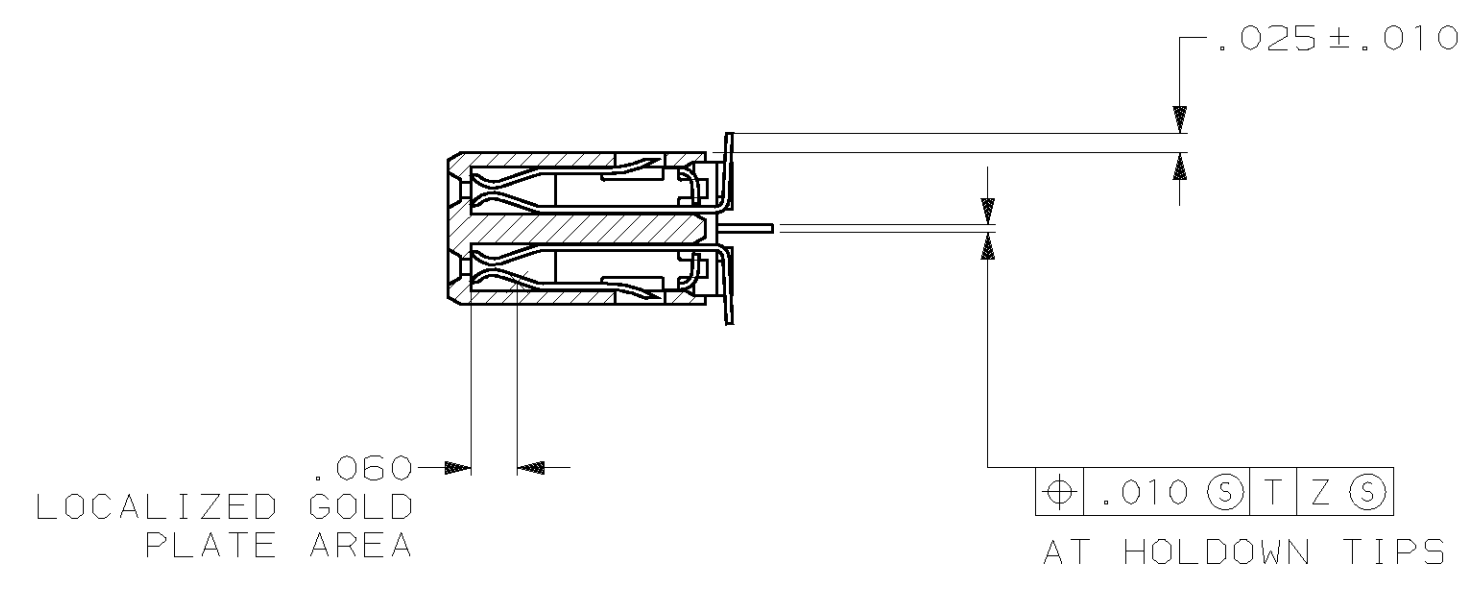
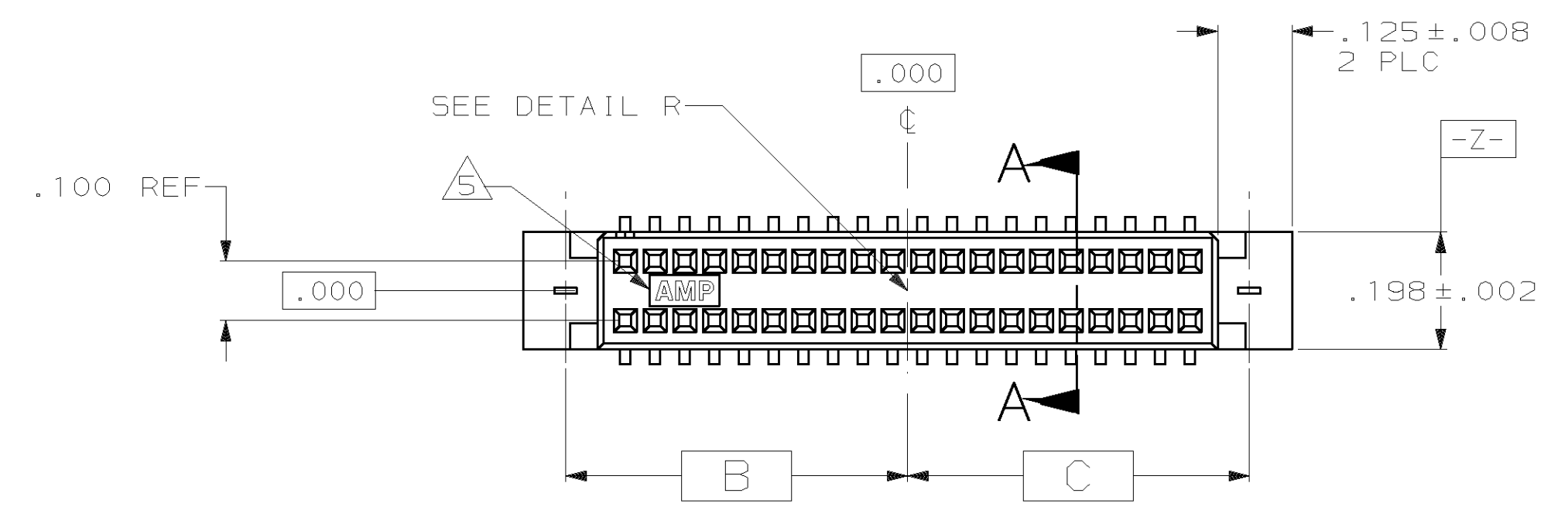


LOC		DIST		P		F		ZONE		LTR		REVISIONS		
AD	39											DESCRIPTION	DATE	APPD
												REV PER 063C-0534-04	21OCT04	JR/D5

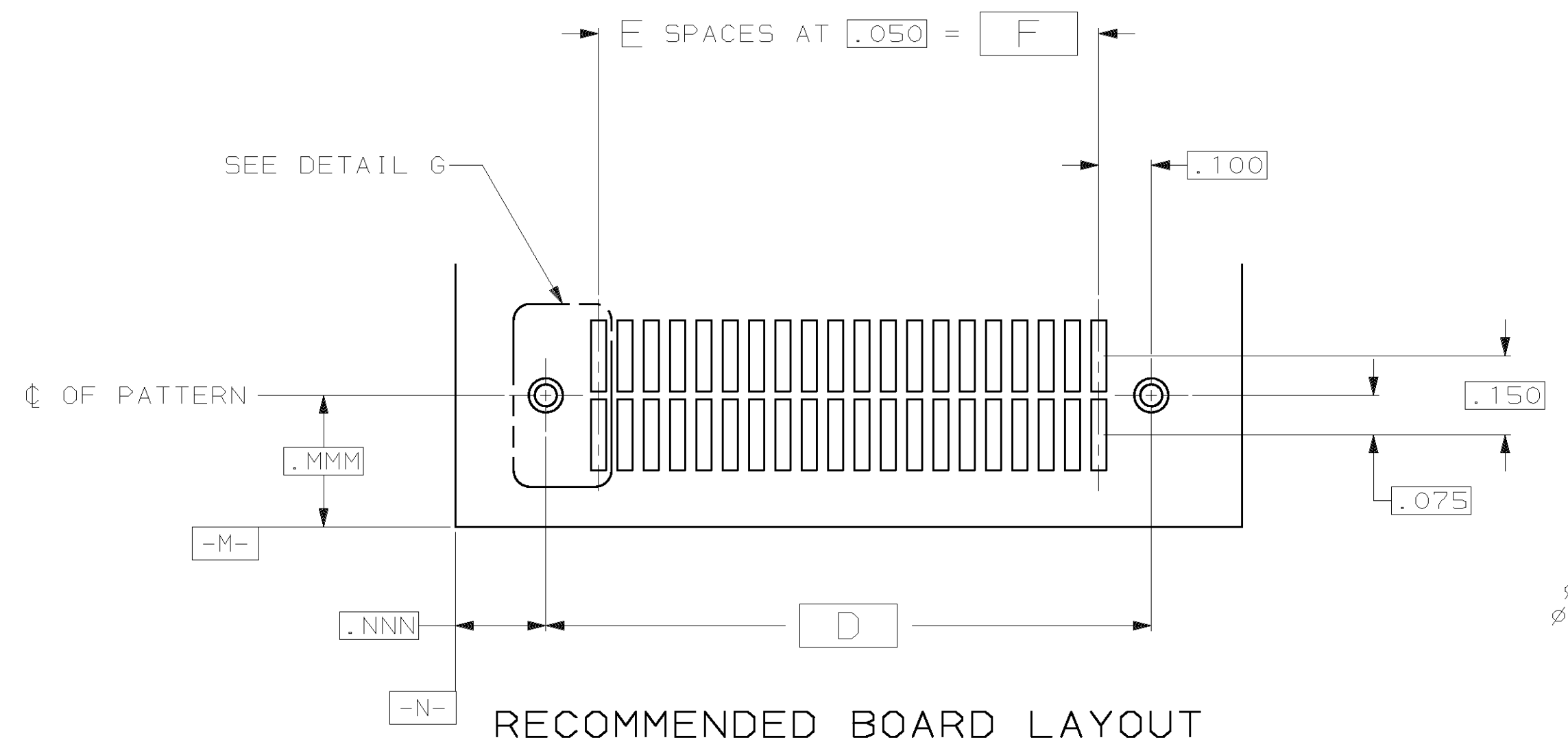


DETAIL R

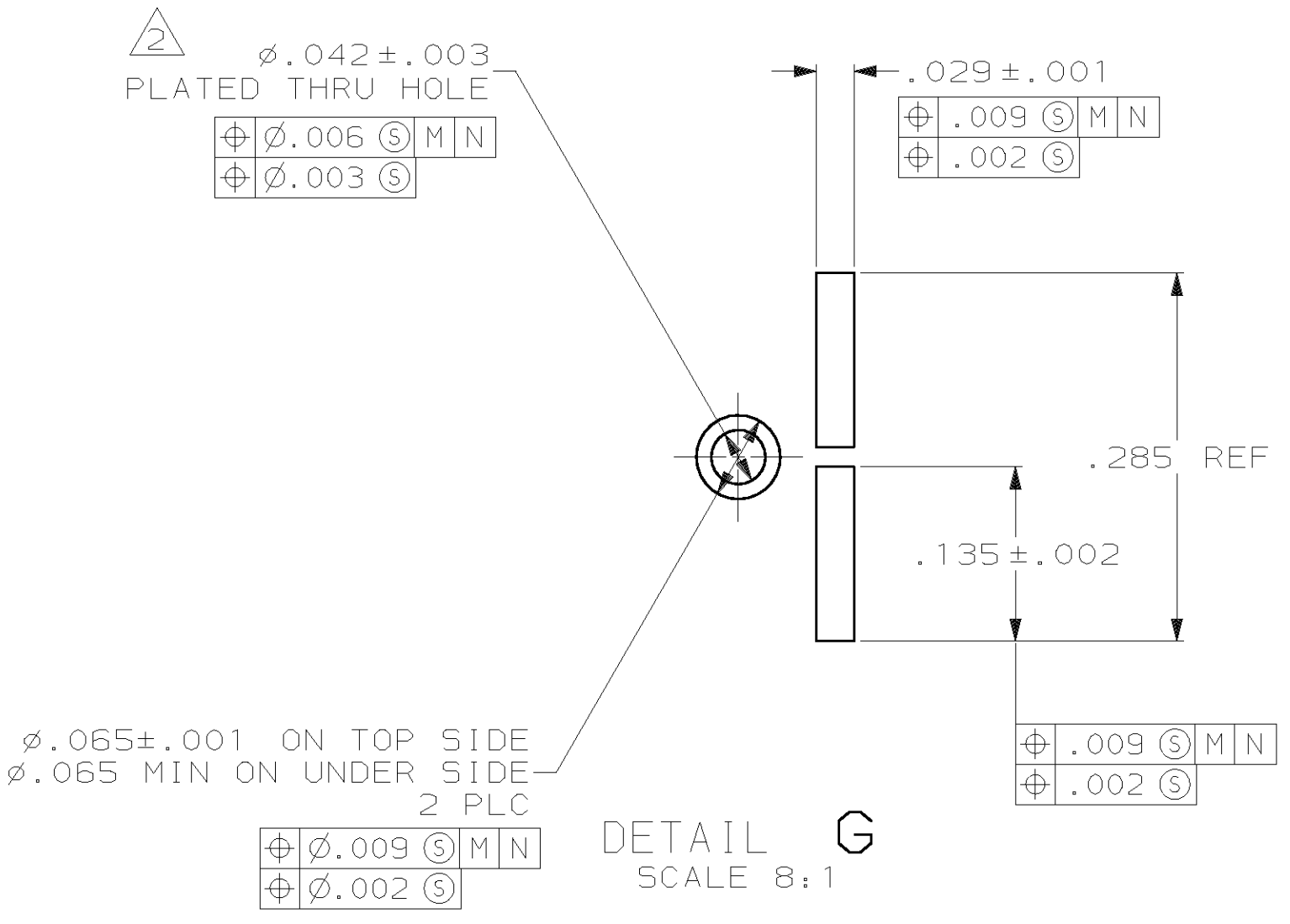
- 1 .000030 GOLD IN LOCALIZED PLATE AREA, .000150 TIN-LEAD ON SOLDER TAILS ALL OVER .000050 NICKEL.
- 2 USE .0465±.0010 DRILLED HOLE (#56 DRILL) FINISH TO BE TIN-LEAD OVER .001 MINIMUM COPPER.
- 3 WINDOWS SHOWN ON SIDE OF HOUSING ARE MOLDERS OPTION.
- 4 REFER TO NO. OF POSN. IN CHART FOR NUMBER OF SURFACES WHICH ARE COPLANAR.
- 5 AMP LOGO PRESENCE AND LOCATION OPTIONAL.
- 6 .000030 GOLD IN LOCALIZED PLATE AREA, .000150 TIN ON SOLDER TAILS, ALL OVER .000050 NICKEL.



SECTION A-A



RECOMMENDED BOARD LAYOUT



DETAIL G
SCALE 8:1

2.450	49	2.650	1.325	1.325	2.544	100	6	5-104550-9
1.950	39	2.150	1.075	1.075	2.044	80	6	5-104550-8
1.450	29	1.650	.825	.825	1.544	60	6	5-104550-7
1.200	24	1.400	.700	.700	1.294	50	6	5-104550-6
.950	19	1.150	.575	.575	1.044	40	6	5-104550-5
.700	14	.900	.450	.450	.794	30	6	5-104550-4
.550	11	.750	.375	.375	.644	24	6	5-104550-3
.450	9	.650	.325	.325	.544	20	6	5-104550-2
.200	4	.400	.200	.200	.294	10	6	5-104550-1
2.450	49	2.650	1.325	1.325	2.544	100	1	104550-9
1.950	39	2.150	1.075	1.075	2.044	80	1	104550-8
1.450	29	1.650	.825	.825	1.544	60	1	104550-7
1.200	24	1.400	.700	.700	1.294	50	1	104550-6
.950	19	1.150	.575	.575	1.044	40	1	104550-5
.700	14	.900	.450	.450	.794	30	1	104550-4
.550	11	.750	.375	.375	.644	24	1	104550-3
.450	9	.650	.325	.325	.544	20	1	104550-2
.200	4	.400	.200	.200	.294	10	1	104550-1
F	E	D	C	B	A	NO OF POSN		PART NUMBER

DO NOT SCALE PRINT. UNLESS SPECIFIED DIMENSIONS IN mm [INCHES] TOLERANCES ON: 2 PLC DEC ± .005 ANGLES ± .		DR 07/16/92 R.K. SEIFRIED/UTA		AMP Incorporated Harrisburg, PA 17105-3608	
MATERIAL HOUSING: PPA COLOR: BLACK CONTACT: PHOSPHOR BRONZE FINISH SEE TABLE		CHK 10/23/92 B ELICKER			
APPD 10/23/92 B ELICKER		APPD 10/23/92 B FLINCHBAUGH		NAME RECEPTACLE ASSEMBLY, VERTICAL, DOUBLE ROW, SURFACE MOUNT, AMPMODU System 50	
APPD 10/23/92 B ELICKER		APPLICATION SPEC		SIZE D	CAGE CODE 00779
APPD 10/23/92 B ELICKER		DRAWING NO C= 104550		SCALE 4:1	SHEET 1 OF 1

THIS DRAWING IS A CONTROLLED DOCUMENT FOR AMP INCORPORATED. IT IS SUBJECT TO CHANGE AND THE CONTROLLING ENGINEERING ORGANIZATION SHOULD BE CONTACTED FOR THE LATEST REVISION.